

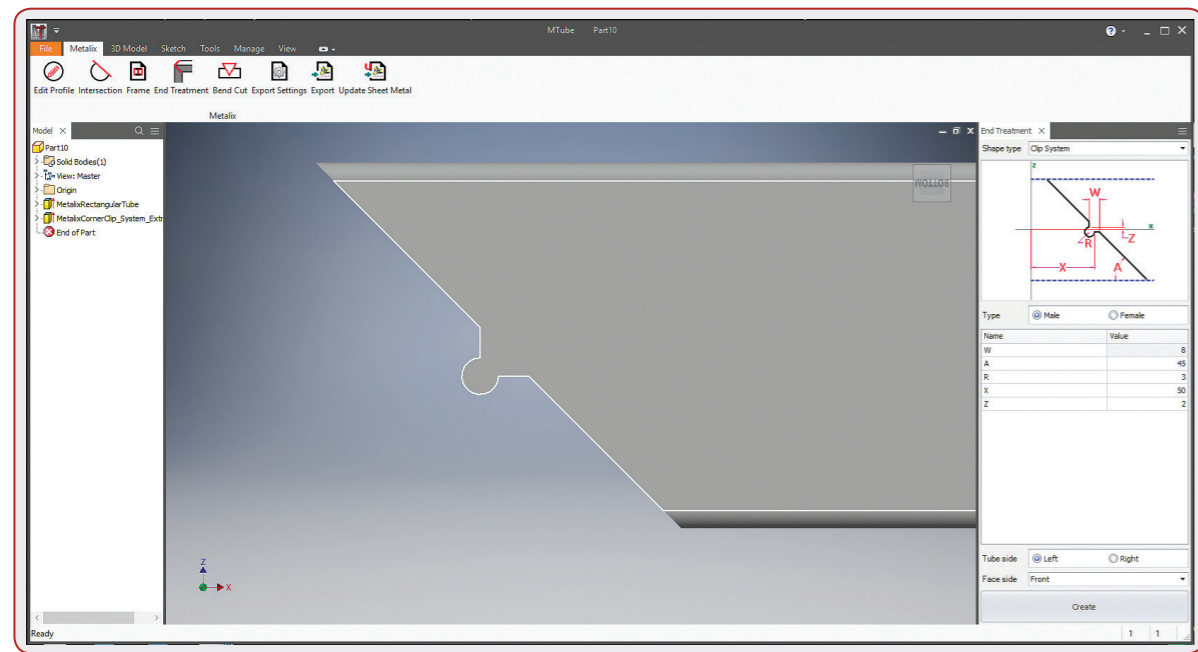
machine language[®]
CAD/CAM that speaks your language[®]

MTube

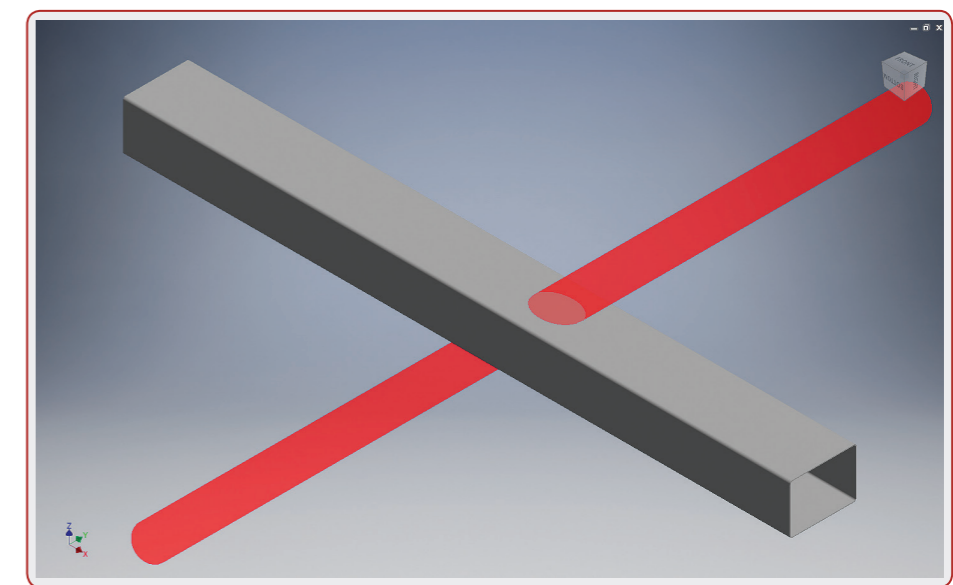
MTube supports corner treatment for 'puzzle joints' on rectangular profile tubes. This option helps to connect one piece in an assembly to another.

MTube is a 3D design application for simple and easy creation of 3D tube profiles.

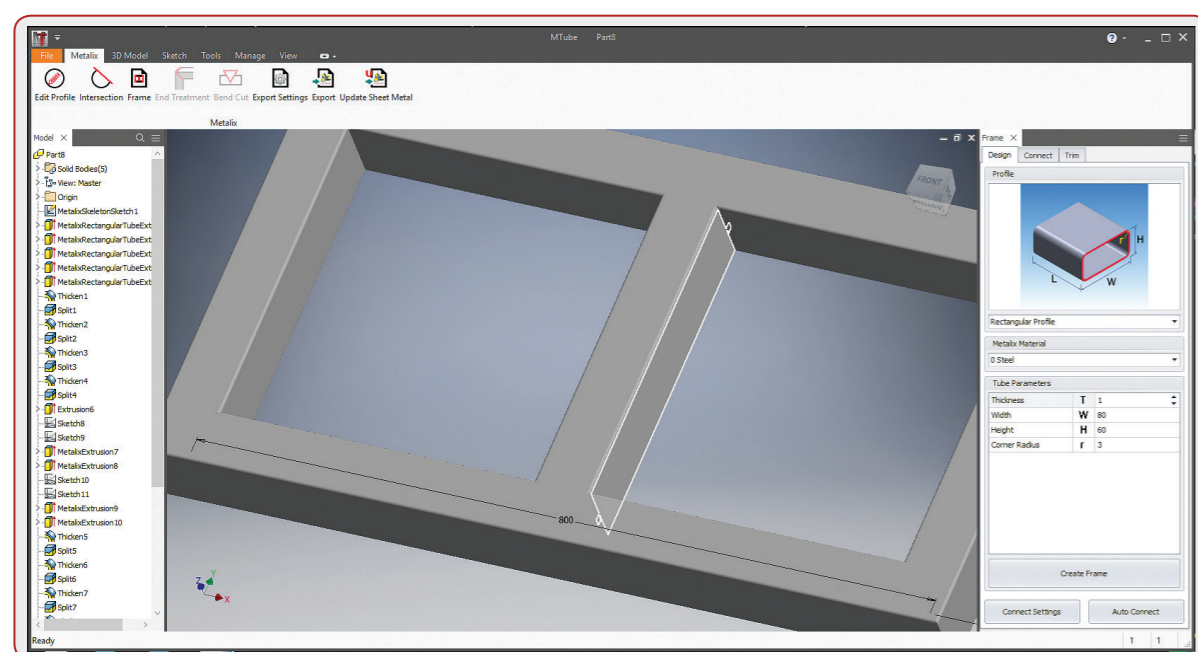
Use **MTube** to design round, rectangular, elliptical, obround, angle, channel, and custom rectangular tube parts. Watch the changes emerging graphically in three dimensions.



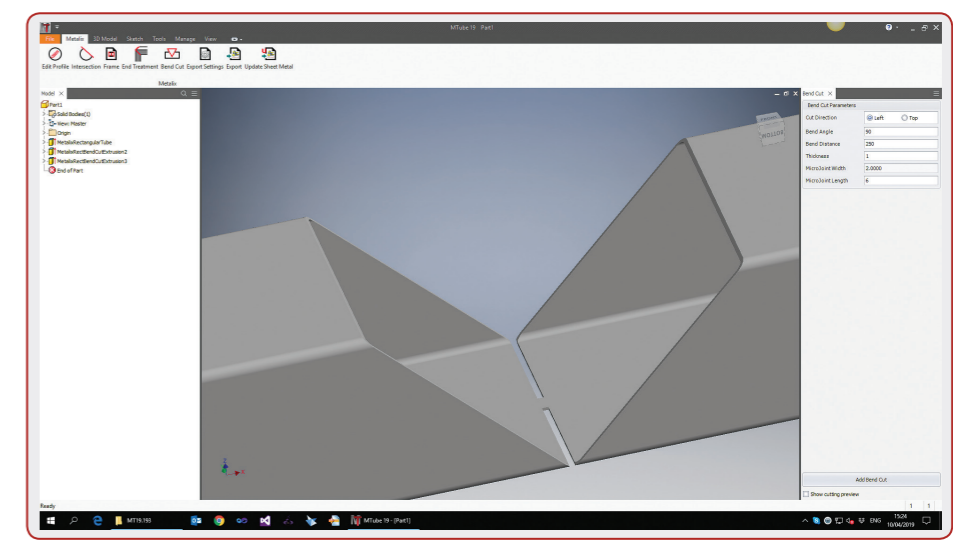
Puzzle joint on a single profile in **MTube**



Bend cut in **MTube**



Puzzle joints in an assembly in **MTube**

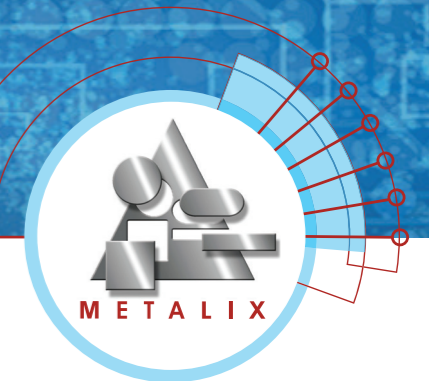


Bend cut in **MTube**

A feature of particular interest is the ability to quickly create bend cuts in rectangular tubes. This allows you to later fold the manufactured tubes that you designed in **MTube**.

Define the cut direction (left or top), bend angle, and distance parameters, and determine the length of MicroJoints.

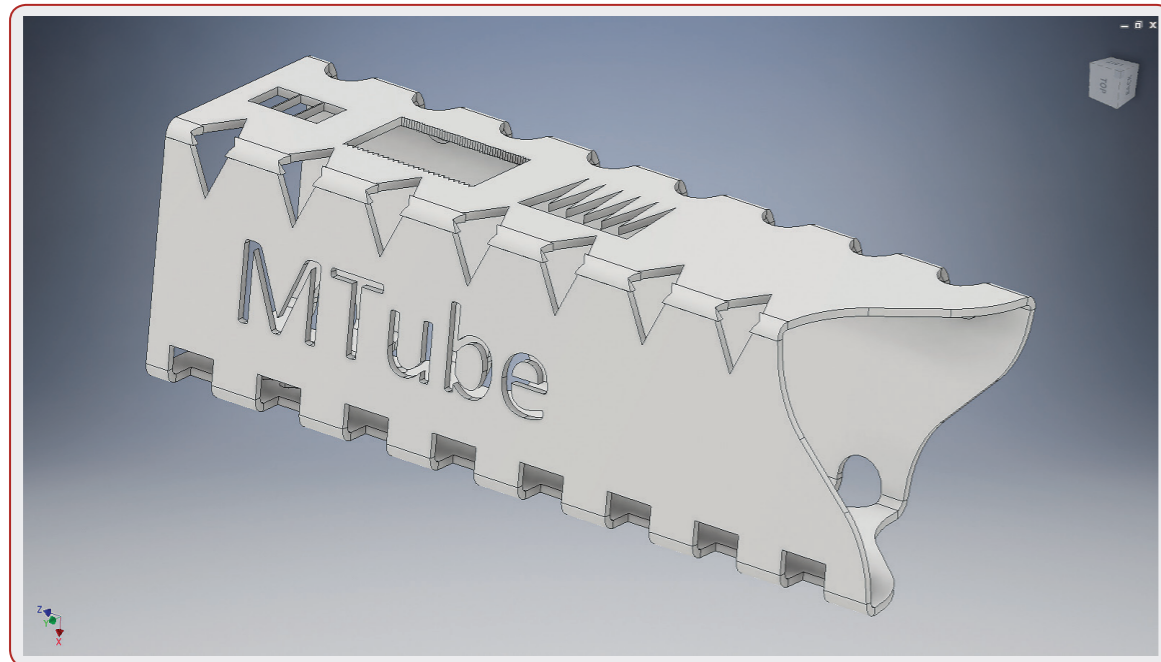




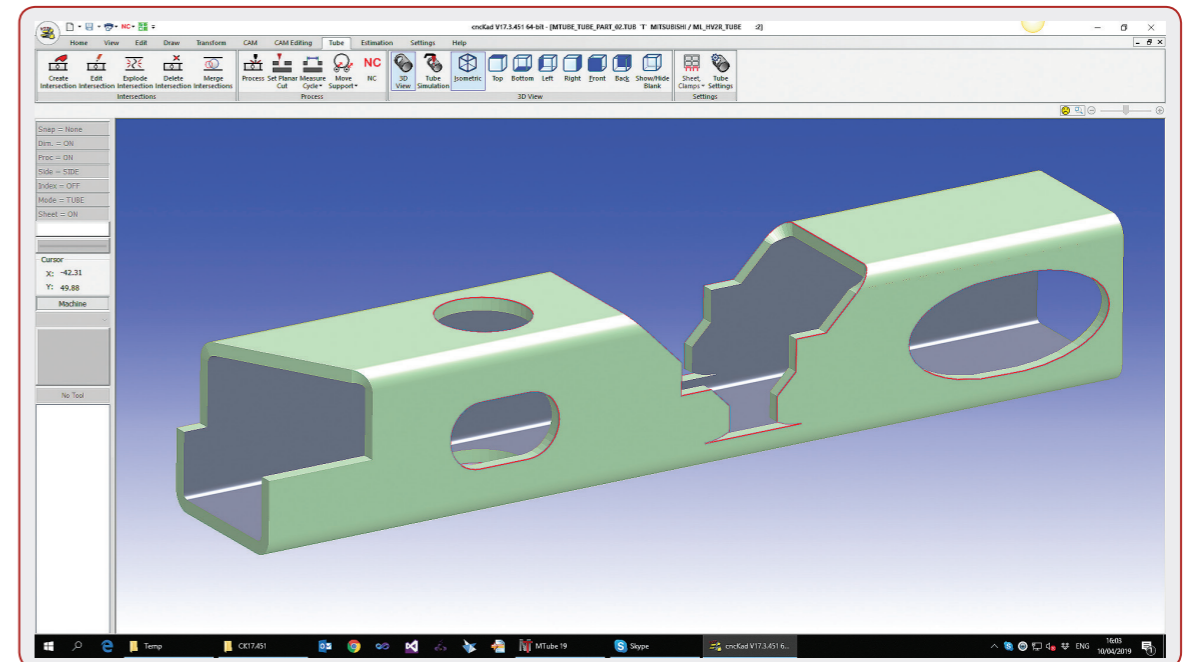
machine
CAD/CAM that speaks your language™

As well as designing tubes, **MTube** allows you to import tube design parts and assemblies, without requiring additional 3D CAD software.

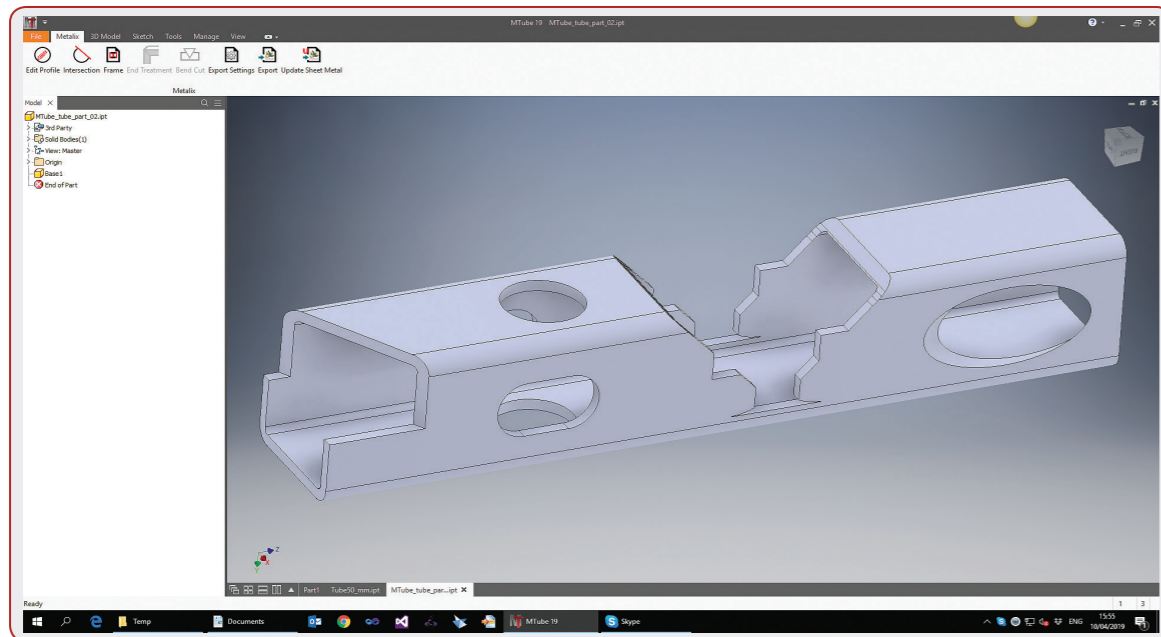
Import industry -standard tubes from CAD software (SOLIDWORKS, Solid Edge, Inventor, Catia, and PTC Creo) and from CAD formats (IGES, Parasolid, STEP, and SAT).



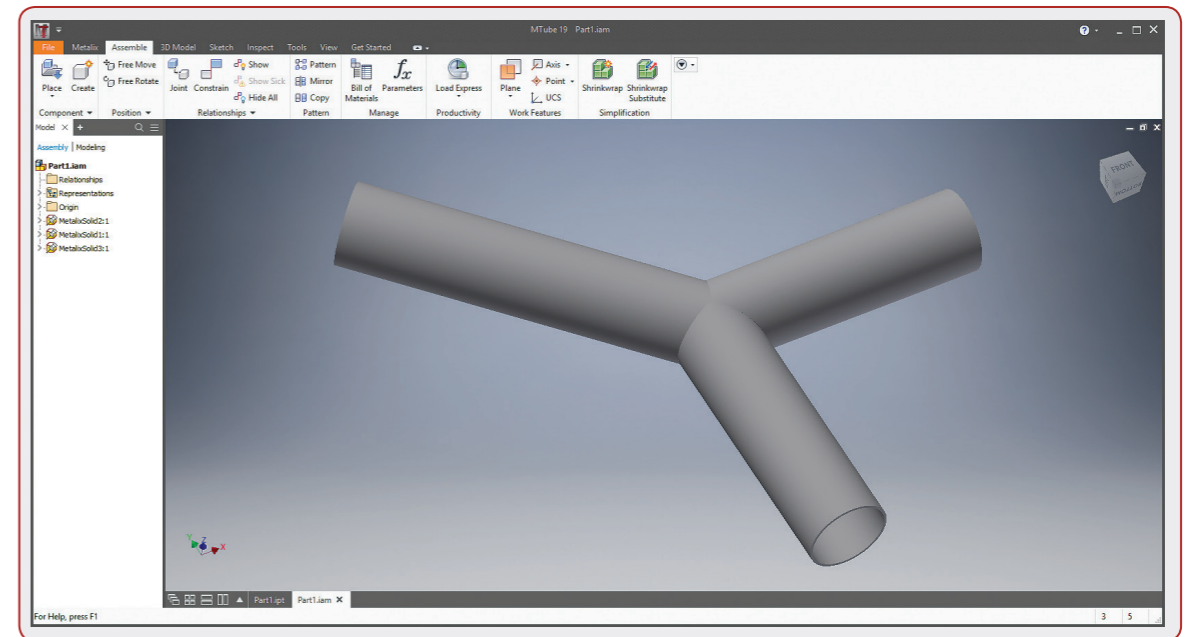
Tube design, imported into **MTube**



Tube file transferred to **cncKad** from **MTube**, ready for cutting and processing



Tube file ready to be exported from **MTube**



Tube assembly imported into **MTube**

